

ALIEN TECHNOLOGY®

ALR-9650

HARDWARE

SETUP GUIDE

February 2008



ALIEN®

RFID4u
Store

Authorized Reseller:
RFID4UStore
www.rfid4ustore.com
1-408-739-3500
sales@rfid4ustore.com

ALR-9650

Legal Notices

Copyright ©2008 Alien Technology Corporation. All rights reserved.

Alien Technology Corporation has intellectual property rights relating to technology embodied in the products described in this document, including without limitation certain patents or patent pending applications in the U.S. or other countries.

This document and the products to which it pertains are distributed under licenses restricting their use, copying, distribution and de-compilation. No part of this product documentation may be reproduced in any form or by any means without the prior written consent of Alien Technology Corporation and its licensors, if any. Third party software is copyrighted and licensed from Licensors. Alien, Alien Technology, the Alien logo, Nanoblock, FSA, Gen2Ready, Squiggle, the Squiggle logo, Nanoscanner and other graphics, logos, and service names used in this document are trademarks of Alien Technology Corporation in the U.S. and other countries. All other trademarks are the property of their respective owners. U.S. Government approval required when exporting the product described in this documentation.

Federal Acquisitions: Commercial Software -- Government Users Subject to Standard License Terms and Conditions. U.S. Government: If this Software is being acquired by or on behalf of the U.S. Government or by a U.S. Government prime contractor or subcontractor (at any tier), then the Government's rights in the Software and accompanying documentation shall be only as set forth in this license; this is in accordance with 48 C.F.R. 227.7201 through 227.7202-4 (for Department of Defense (DoD) acquisitions) and with 48 C.F.R. 2.101 and 12.212 (for non-DoD acquisitions).

DOCUMENTATION IS PROVIDED "AS IS" AND ALL EXPRESS OR IMPLIED CONDITIONS, REPRESENTATIONS AND WARRANTIES, INCLUDING ANY IMPLIED WARRANTY OF MERCHANTABILITY, FITNESS FOR A PARTICULAR PURPOSE OR NON-INFRINGEMENT ARE HEREBY DISCLAIMED, EXCEPT TO THE EXTENT THAT SUCH DISCLAIMERS ARE HELD TO BE LEGALLY INVALID.

FCC Compliance

This equipment has been tested and found to comply with the limits for Class A digital device, pursuant to Part 15 of the FCC Rules. These limits are designed to provide reasonable protection against harmful interference when the equipment is operated in a commercial environment. This equipment generates, uses and can radiate radio frequency energy and, if not installed and used in accordance with instruction manual, may cause harmful interference with radio communications. Operation of this equipment in a residential area is likely to cause harmful interference in which case the user will be required to correct the interference at his expense.

Any change or modification to this product voids the user's authority to operate per FCC Part 15 Subpart A. Section 15.21 regulations.

Industry Canada Compliance

Operation is subject to the following two conditions: (1) this device may not cause interference and (2) this device must accept any interference, including interference that may cause undesired operation of the device. This device has been designed to operate with an antenna having a maximum gain of 6dBi. Antenna having a higher gain is strictly prohibited per regulations of Industry Canada. The required antenna impedance is 50 ohms. To reduce potential radio interference to other users, the antenna type and its gain should be so chosen that the equivalent isotropically radiated power (EIRP) is not more than that required for successful communication.

Caution

Reader antennas should be positioned so that personnel in the area for prolonged periods may safely remain at least 23 cm (9 in) in an uncontrolled environment from the antenna's surface. See FCC OET Bulletin 56 "Hazards of radio frequency and electromagnetic fields" and Bulletin 65 "Human exposure to radio frequency electromagnetic fields."

Australia AS/NZS 3548:1995

Warning

This is a Class A product. In a domestic environment this product may cause radio interference in which case the user may be required to take adequate measures.

Alien Technology®

Hardware Setup Guide

ALR-9650**February 2008**

Table of Contents

CHAPTER 1 INTRODUCTION	1
Audience	1
RFID Reader Overview	2
EPC Class 1 GEN 2 UHF RFID Tags	2
Requirements	3
Specifications	4
RFID Reader.....	4
Auxiliary Antennae.....	5
Power Supplies.....	5
Mechanical: Reader Physical Size	6
I/O Port Terminal Interface	6
RS-232 Port Pinouts	8
RS-232 Connector (Female) – Looking at Reader	8
System Architecture	8
CHAPTER 2 READER HARDWARE INSTALLATION AND OPERATION	9
Receiving the RFID Reader	9
Reader I/O Panel.....	10
Diagnostic LEDs	10
Reader Antennas	11
System Assembly and Bench Test	12
Bench Test Configuration	12
Bench Test Procedure.....	16
Installation	17
Requirements	17
Hardware Installation Procedure	18
System Operation: Software Control	20
Reader Interface Guide	20
Demonstration Software Guide	21
Alien RFID Academy	21
APPENDIX A CLAUSE 6.2 OF SJT/11364.....	22

(This page intentionally left blank)

CHAPTER 1

Introduction

This *Hardware Setup Guide* provides instructions for installing and operating the ALR-9650 RFID Readers.

This document is designed for use by RFID system integrators and software developers - those who wish to develop software products and extended systems that take full advantage of the RFID Reader's capabilities.

Included with each developer's kit is a CD-ROM that contains additional information about RFID and the ALR-9650 including the following:

- *RFID Primer* – an overview of RFID technology and a glossary of terms.
- *Reader Interface Guide* – an overview of the communication interfaces for the ALR-9650.
- *Quick Installation Guide* – a quick start guide for installing and running the ALR-9650 reader
- *Quick Reference* – a quick reference guide summarizing the Alien Reader Protocol command set.
- *Demo Software Guide* – details installing and operating the Alien RFID Gateway demonstration software.
- *Quick Upgrade Guide* – briefly explains how to use the demonstration software to upgrade the ALR-9650. The ALR-9650 can only be upgraded through the LAN/PoE port.
- *Developer's Guides*, Application Programming Interfaces and Example Code.

Please insert the CD that came with your Developer's Kit and follow the on-screen prompts to access this information.

Audience

For the purposes of this document, we assume the readers of the *Hardware Setup Guide*:

- Are competent PC users
- Have minimal previous knowledge of Radio-Frequency Identification (RFID) technology
- Are experienced in software development and/or hardware systems integration

RFID Reader Overview

The Alien ALR-9650 RFID reader is designed to read and program any EPC Class 1 Generation 2 tag and issue event reports to a host computer system. The host computer can be locally connected to the reader via RS-232, or at a remote network location. It is designed to accept power through an IEEE 802.3af compliant network or a conventional 24 Volt DC power brick.

The RFID Reader is delivered with the following components and accessories:

- One (1) RFID Reader
- One (1) PoE power supply
- One (1) AC power cord
- One (1) standard network cable to connect the PoE power supply to the reader.
- A standard 24 volt DC power brick is also available as an option.

Additionally, the RFID Reader Developer's Kit includes the following items:

- An auxiliary antenna
- One (1) RS-232 serial cable (to connect to host computer)
- One (1) Network cross-over cable
- CD-ROM containing demonstration software, user guides, documentation and the Alien RFID Gateway Application
- Software APIs and example code
- An assortment of Class 1 Gen 2 UHF tags

EPC Class 1 GEN 2 UHF RFID Tags

The Alien ALR-9650 RFID reader is designed to read and program any EPC Class 1 Generation 2 tag and issue event reports to a host computer system. Class 1 tags are “passive” devices meaning they do not have a battery or other onboard power source. They are powered solely by the RF energy transmitted by an RFID reader.

Tags communicate with the reader through backscatter modulation. The tags do not transmit RF energy. Instead, they change their reflective characteristics in a controlled way and reflect RF energy back to the reader. An analogy to this is the way you can use a mirror to signal someone by reflecting light from the Sun.

Alien Technology manufactures user-programmable EPC Class 1 Generation 2 tags compliant with all key commercial and DoD mandates. Alien Technology offers a variety of designs capable of delivering optimal performance worldwide, including Europe and Asia.

For more information about RFID tags from Alien Technology, please visit our website at:

<http://www.alientechnology.com>.

Requirements

To interface with the RFID Reader you will need the following:

- A PC running Windows 98 or higher, with CD-ROM drive, an available RS-232 serial port and/or Ethernet connectivity
- An 802.3af compatible network connection, or
- Standard 120/220 VAC 50/60 Hz outlet and the model ALX-416-1 (PoE) or ALX-416-2 (24 Volt AC/DC) power supply (provided with the reader)
Note: Only these supplies may be used to power the ALR-9650.
- Host software (Alien Gateway demo software, telnet terminal or your own custom software)

Specifications

Specifications for key components of the RFID Reader system are provided in the tables below. Only these listed components may be used in the RFID reader system.

The reader table refers to US specifications only. Reader models released for the other countries may have different power levels, frequency of operation and channel spacing in compliance with local regulations where the product is sold.

RFID Reader

Name	Alien Smartenna
Model Number	ALR-9650
Architecture	Point-to-multipoint reader network, mono-static circularly polarized (CP), internal antenna
Operating Frequency	902.75 MHz – 927.25 MHz
Hopping Channels	50
Channel Spacing	500 KHz
Channel Dwell Time	< 0.4 seconds
RF Transmitter	< 30 dBm into internal antenna and from auxiliary antenna port.
Modulation Method	Phase Reversal – Amplitude Shift Keying (PR-ASK)
20 db Modulation Bandwidth	< 100 KHz
RF Receiver	2 Channels
Power Consumption	8 Watts
Communications Interface	RS-232 (DB-9), TCP/IP (RJ-45)
Inputs/Outputs	1 internal antenna, 1 auxiliary antenna port, 2 inputs/2 outputs (TTL compatible), RS-232 com port, LAN, power
Dimensions	((cm) 22.9 x 21.3 x 5.1 • (in) 9 x 8.4 x 2
Weight	Approximately 1.3 kg (2.9 lbs)
LED Indicators	DC Power, RF ON, Read, Fault(red), Link, Active
Operating Temperature	0°C to +50°C (32 °F to +122°F)
Operating Environment	Indoor operation only
Software Support	APIs, sample code, executable demo app (Alien Gateway)
Protocol Support	Comply with EPC Class 1 Gen 2 and 18000 – 6C
Compliance Certifications	FCC Part 15; FCCID: P65ALR9650; IOC: 4370A-ALR9650

Auxiliary Antennae

The ALR-9650 has been certified to operate in accordance with FCC requirements when operated on a stand alone basis using the internal antenna or when operated with the following antennas attached to the Auxiliary Antenna Port. Only the internal antenna and the antennas listed below may be used with the ALR-9650 reader. Operation with other antennae is a violation of the conditions of the ALR-9650 FCC license.

- Model ALR-9611-CR circularly polarized antenna
- Model ALR-9611-CL circularly polarized antenna
- Model ALR-9610-AL linearly polarized antenna

Power Supplies

The ALR-9650 has been certified to operate in accordance with FCC requirements when powered by an 802.3af compliant network capable of supplying 12.95 watts minimum or using one of the power supplies listed below. Only the power supplies listed below may be used with the ALR-9650 reader. Operation with other power supplies is a violation of the conditions of the ALR-9650 FCC license.

- Model ALX-416-1 Power over Ethernet (PoE) Power Supply
- Model ALX-416-2 24 VDC AC/DC Power Supply

Mechanical: Reader Physical Size

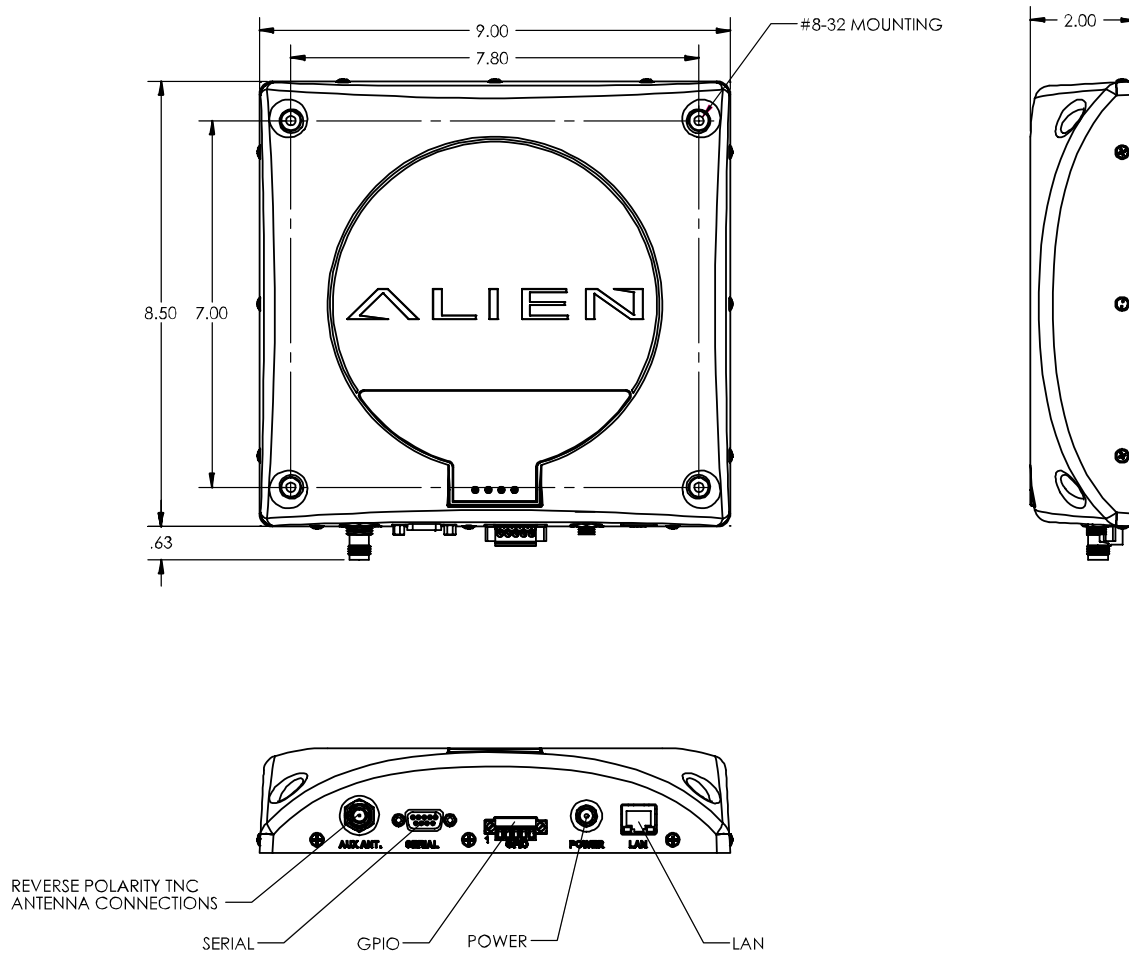


Figure 1 - Outline Drawing of the ALR-9650

I/O Port Terminal Interface

The ALR-9650 I/O port provides two digital inputs, two digital outputs and a ground return. The design provides protection against momentary over and reverse voltage application to the inputs or outputs and short circuit of the outputs. The inputs and outputs are TTL compatible. When set high, outputs will sink ~1 mA with 5 volts applied.

Caution: The absolute maximum voltage applied to any input or output shall not exceed 5.5 volts.

I/O Recommended Operating Conditions

Inputs	
Logic "0"	0 – 0.8 VDC
Logic "1"	2.0 – 5.25 VDC
Outputs	
I _{source}	20 mA @ 3 VDC
I _{sink}	20 mA @ 0.5 VDC

Unlike the Alien Enterprise Readers (ALR-9800 and ALR-9900) the ALR-9650 I/O's are not optically isolated. Instead they are buffered internally. As a result the outputs can source up to 20 mA's without the external supply required for the Enterprise Readers. Outputs should be protected from transients such as inductive kickback so as to not exceed the absolute maximum voltage allowed at the outputs. The circuit diagram below illustrates the input and output equivalent circuits.

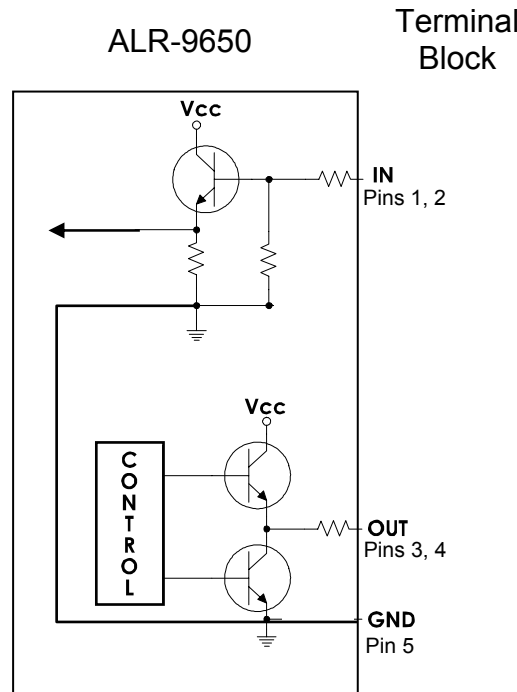


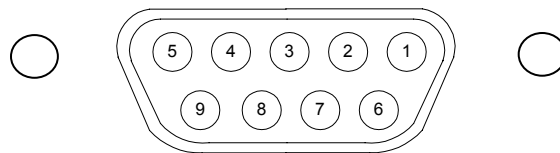
Figure 2 - Input and Output Circuits

I/O Port Screw Terminal Connector (Phoenix 5-pin header)		
Pin 1	Input 0	(TTL Compatible)
Pin 2	Input 1	(TTL Compatible)
Pin 3	Output 0	(TTL Compatible)
Pin 4	Output 1	(TTL Compatible)
Pin 5	Ground	

RS-232 Port Pinouts

RS-232 Connector (Female DB-9F)	
Pin 1	DCD Connected to Pin 6
Pin 2	TR1 Transmit Data (Output)
Pin 3	RC1 Receive Data (Input)
Pin 4	DTR Connected to Pin 6
Pin 5	Ground
Pin 6	DSR Connected to Pin 4
Pin 7	RTS Connected to Pin 8
Pin 8	CTS Connected to Pin 7
Pin 9	Not Connected

RS-232 CONNECTOR (FEMALE) – LOOKING AT READER



System Architecture

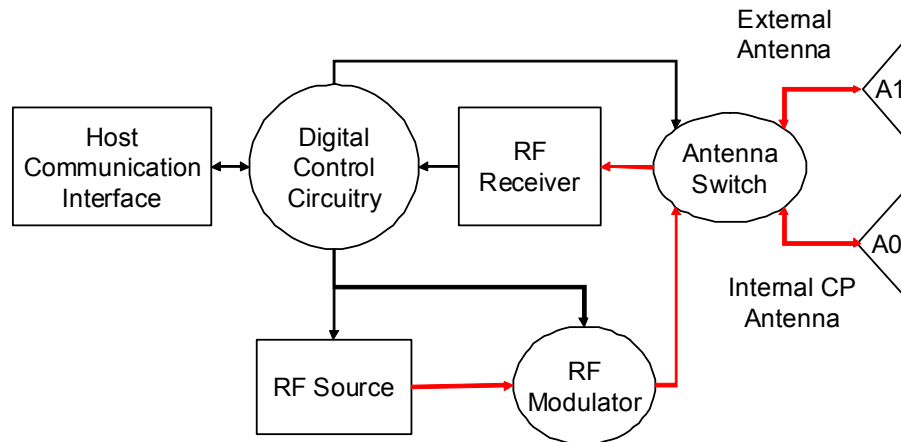


Figure 3 - System Architecture for the ALR-9650 Reader

CHAPTER 2

Reader Hardware Installation and Operation

This chapter describes the RFID Reader and provides installation and operation information.

Receiving the RFID Reader

Your RFID Reader Kit is shipped with the items listed below. Please verify the contents of your received shipment before assembling.

- RFID Reader
- ALX-416 PoE power supply, AC power cable and standard Ethernet Cable.

Additionally, the RFID Reader Developer's Kit includes the following items:

- An auxiliary antenna
- RS-232 reader-to-PC cable
- One Ethernet cross-over cable for direct connection to a local host/PC
- CD-ROM containing demonstration software, user guides, documentation, Software APIs and example code
- An assortment of Class 1 Gen 2 UHF tags

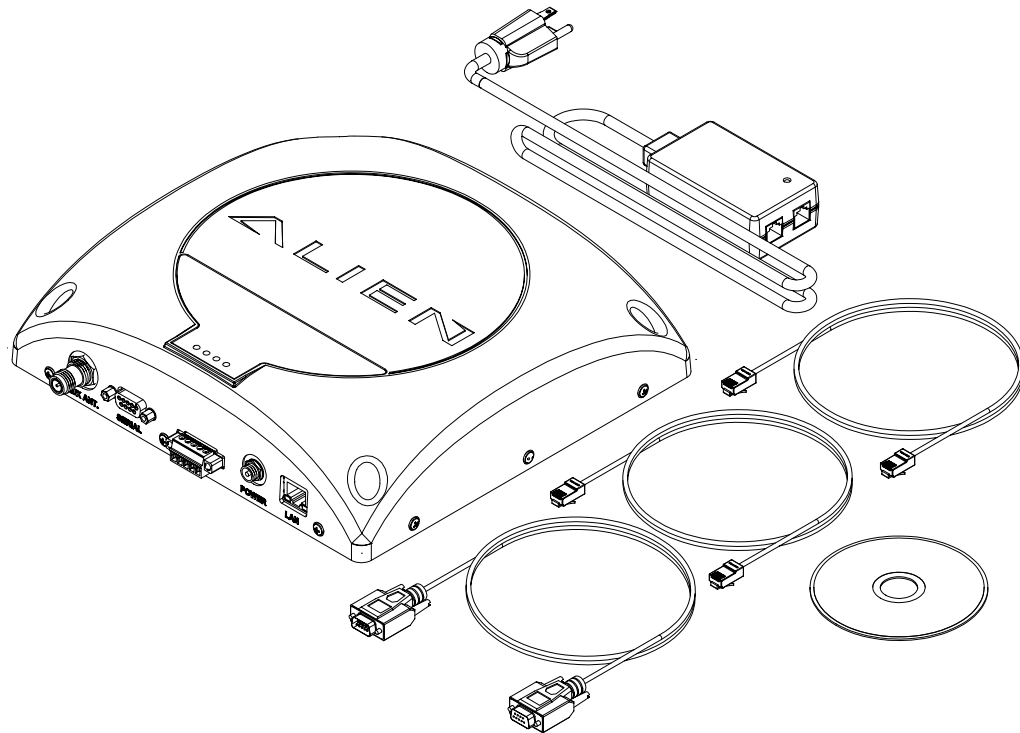


Figure 4 - ALR-9650 Developer's Kit(Auxiliary Antenna and tag kit not shown)

Reader I/O Panel

The I/O panel (shown below) includes the following:

- Auxiliary Antenna Port (RP-TNC)
- 9-pin D female RS-232 serial port
- 5-pin I/O terminal block (GPIO)
- Auxiliary DC Power connector
- LAN TCP/IP and PoE port

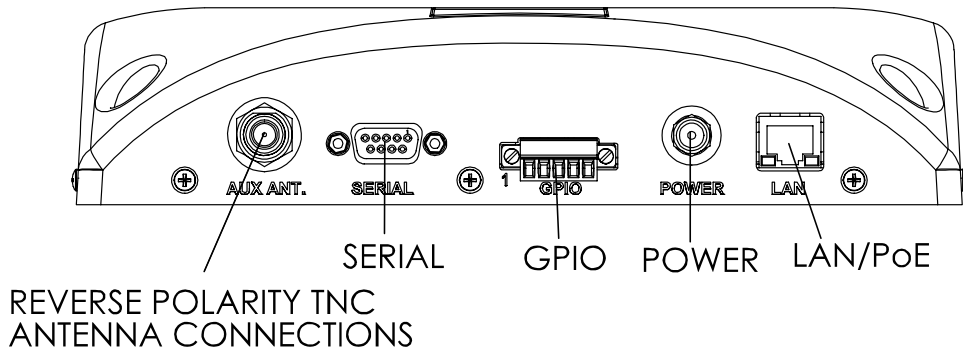


Figure 5 - ALR-9650 Reader Connections

Diagnostic LEDs

The ALR-9650 includes diagnostic LEDs on the face of the reader to provide easy and convenient external indication for various operating conditions: On the Front Panel you will find:

- **POWER (green)** –indicates power is applied to the reader.
- **RF Power On (green)** –indicates that the reader is transmitting.
- **READ (green)** –indicates that the reader is receiving data from a tag.
- **FAULT (red)** – indicates a fault condition with the reader

On the RJ 45 connector you will find:

- **LINK (green)** – indicates that the reader is connected to the network
- **ACTIVE (green)** – indicates reader is transmitting on the network

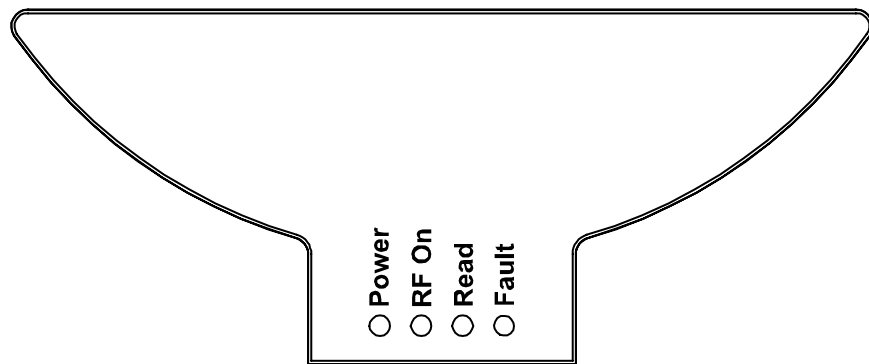


Figure 6 – ALR-9650 Front Panel Reader Diagnostic LEDs

Reader Antennas

The ALR-9650 includes an internal, circularly polarized antenna and an auxiliary antenna port. The Auxiliary port is found on the reader IO panel. It is a reverse-polarity TNC connector. Only antennae documented in this manual may be used with the ALR-9650

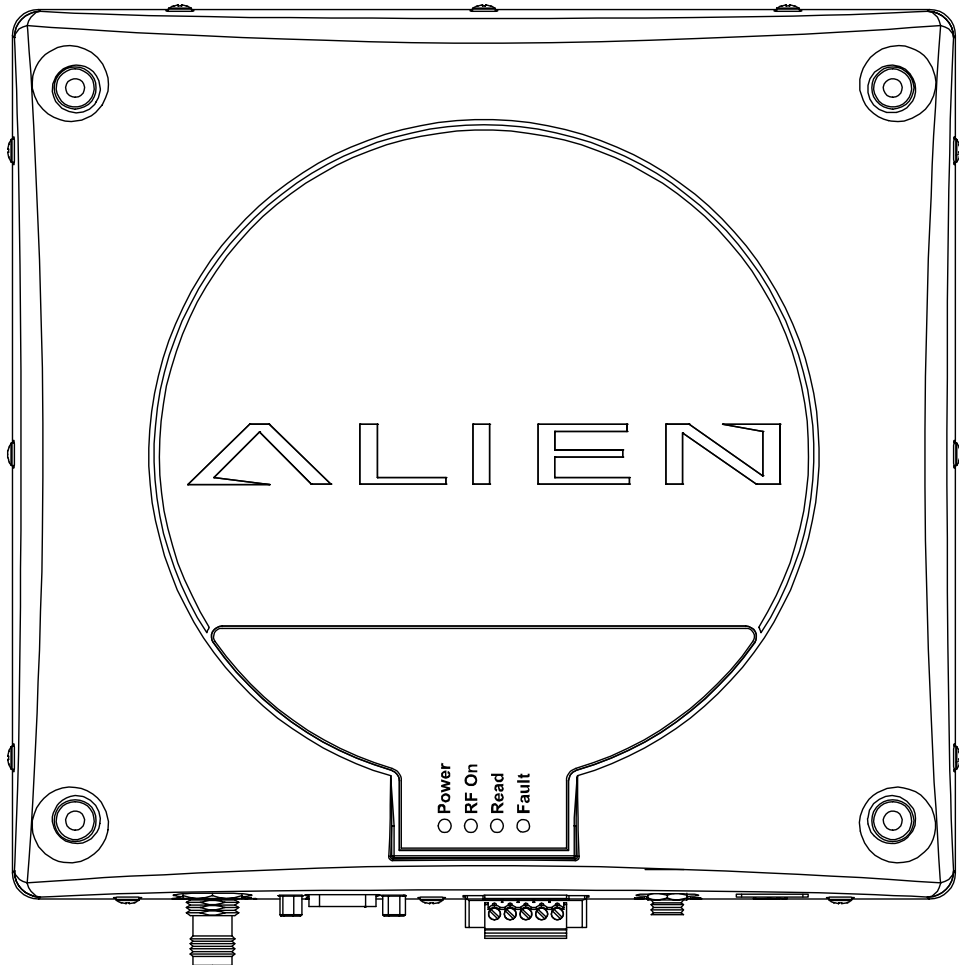


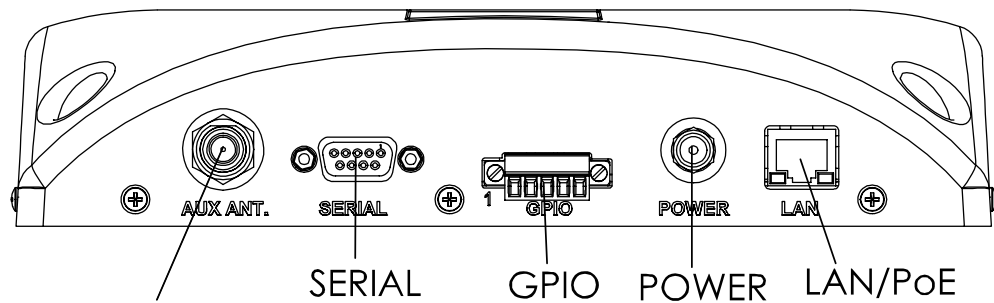
Figure 7 - Antenna Connections

System Assembly and Bench Test

Assembling the RFID Reader system is easy. We recommend you set up the system and verify its operation in a bench test configuration before installing it in a production setting.

Bench Test Configuration

1. **Place the Reader on a tabletop.** Ensure the following conditions:
 - A standard 120 or 220 VAC outlet or 802.3af compliant network port is nearby.
 - Sufficient space is available on the tabletop for the reader and antenna.



REVERSE POLARITY TNC
ANTENNA CONNECTIONS

Figure 8 – Power, RS-232 and LAN Connections

2. **Connect the RS-232 cable to the reader.**
 - Align the male cable connector so that its shape and pins match the shape and holes of the female DB-9 RS-232 port.

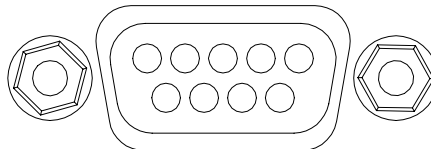


Figure 9 - RS-232 Connector

- Push the aligned connector into the port.
 - Finger-tighten the screws to secure the cable/connector to the reader.
3. **Connect the RS-232 cable to the serial port on the PC.**
 - Settings for RS-232 are 115200 Bits per second, 8 data bits, no parity, 1 stop bit, and no flow control.
 - Start up terminal software on the PC, such as HyperTerminal with these settings, and be prepared to observe the reader's messages as it boots up.

4. Connect the ALX-416 power supply to the reader.

- If you are using an 802.3af compliant network, skip this step.
- **WARNING:** If you use an external power supply you must use the ALX-416-1 PoE power supply or the ALX-416-2 AC/DC brick certified for use with the ALR-9650 by Alien Technology. Failure to do so voids the product warranty and violates the terms of the FCC license.
- If you are using the ALX-416-1 PoE power supply, use the standard Ethernet cable to connect the reader RJ-45 jack to the “LAN+DC” RJ-45 jack of the power supply.
- If you are using the optional ALX-416-2 AC/DC power supply, connect the DC power jack into the DC power plug of the reader. Tighten the screw fitting finger tight.
- **Caution:** DO NOT use both the PoE power supply and the optional AC/DC power brick on the same unit at the same time.
- DO NOT plug the AC power cord into the supply at this time.

5. Connect the Ethernet cable to the reader and LAN or PC.

- If you are using an 802.3af compliant network to power the reader defer this step.
- Connecting to the LAN
 - If you are using the ALX-416-1PoE power supply provided with the Reader Kit, connect a standard Ethernet cable from the PoE power supply LAN port to a nearby LAN drop or network switch.
 - If you are using the ALX-416-2 AC/DC power brick, connect a standard Ethernet cable to the ALR-9650 LAN/PoE port and to the LAN drop or network switch.
- Connecting to a PC
 - If you are using the ALX-416-1 PoE power supply provided with the Reader Kit, connect a cross-over Ethernet cable from the PoE power supply LAN port to the PC LAN port.
 - If you are using the ALX-416-2 AC/DC power brick, connect a scross-over Ethernet cable to the ALR-9650 LAN/PoE port and to the PC LAN port.

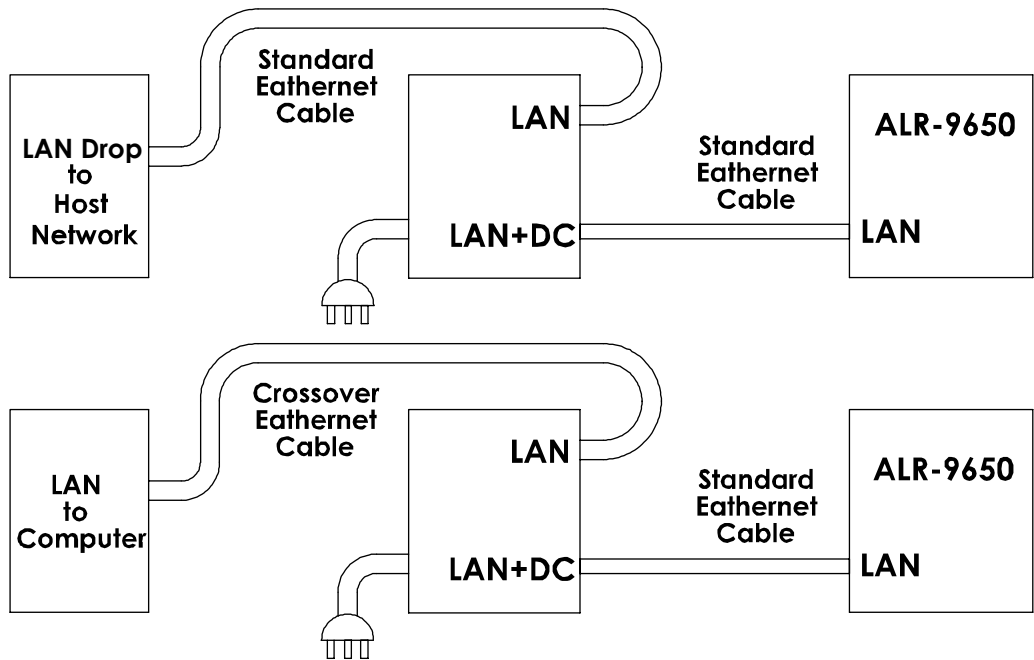


Figure 10 – ALX-416-1 PoE Power Supply and Network Connection Diagram

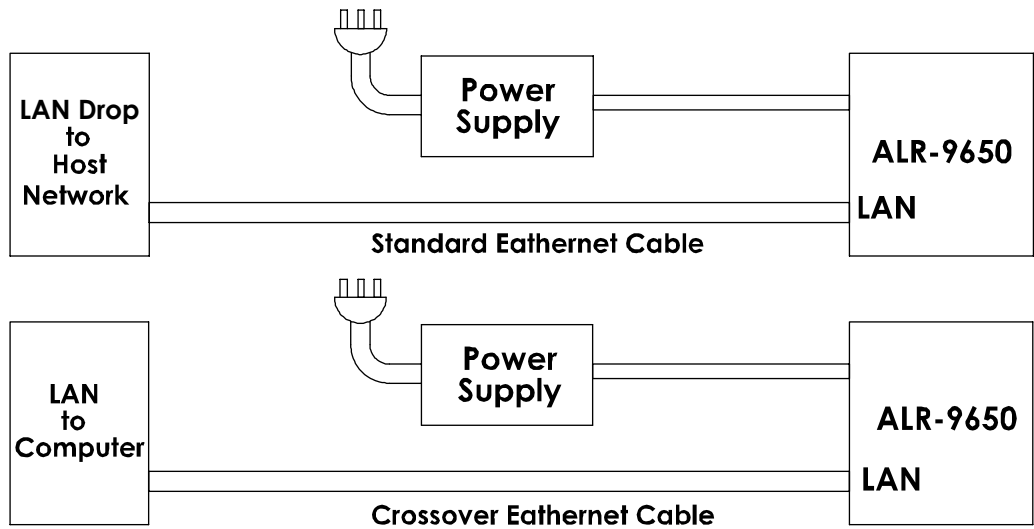


Figure 11 – ALX-416-2 24 V AC/DC Brick and Network Connection Diagram

- The reader comes preconfigured to look for a DHCP server to set its network parameters. In the absence of a DHCP server, the reader will use the following settings:
 - IP Address: 192.168.1.100
 - Subnet Mask: 255.255.255.0
 - Gateway: 192.168.1.1

6. Connect the auxiliary antenna to the auxiliary antenna port.

- The ALR-9650 is a mono-static system. A single antenna acts as both transmit and receive. It provides an internal antenna (ANT 0) and an auxiliary antenna port (ANT 1). Each antenna provides a single read point.
- If you are using only the internal antenna you can skip this step.
- Only the antennas listed in this manual and their associated cables (if specified) may be used with this reader.
- The auxiliary antenna port (ANT 1) is found on the reader IO panel on the left hand side if viewing the reader from the top with the connectors at the bottom. It uses a reverse polarity TNC connector. If using the Alien Gateway software, please note that ANT 0 is selected by default when first initialized.
- To attach an auxiliary antenna align the coax cable's center pin and push into the port
- Screw the fitting from the cable end onto the reader connector *clockwise* until finger-tight to secure the cable to the reader.

7. Power up the reader

- If you are using an 802.3af compliant network to power the ALR-9650 connect a standard LAN cable between the ALR-9650 LAN/PoE port and the 802.3af enabled LAN drop or network switch. The green POWER LED will illuminate when power is on.

Note: If using an 802.3af compliant network it must be capable of supplying up to 12.95 watts.



Figure 12 – ALX-416-2 24 V AC/DC Brick and Network Connection Diagram

- If you are using the ALX-416-1 PoE Power supply or the ALX-416-2 AC/DC brick plug the AC power cord into the supply and into the wall outlet. The green POWER LED will illuminate when power is on.

8 Observe the reader's boot-up trace, and determine the network settings.

The RS-232 port displays useful information while the reader boots, including network settings. Toward the end of the trace, the reader displays a block of text similar to the following:

```
-----  
Network Settings:  
MAC Address : 00:80:66:10:2D:12  
DHCP       : 1  
IP Address  : 10.9.8.10  
Netmask    : 255.255.255.0  
Gateway    : 10.9.8.2  
DNS        : 10.9.8.1  
TimeServer : time-a.timefreq.bldrdoc.gov  
TimeZone   : -7  
-----
```

Once the reader boots and you see the "Boot>Ready!" prompt, pressing return will bring up the "Alien>" prompt.

9. Ensure the PC has compatible network settings.

- In order for you to be able to connect to the reader over TCP/IP, the host PC must be on the same subnet as the reader. If you are unfamiliar with how to do this, consult your local IT service for assistance.
- Once the initial connection is made, you may configure your reader's network settings as you choose. Refer to the *Reader Interface Guide* for instructions on how to do this.

You are now ready to bench test or demonstrate the RFID Reader system.

Bench Test Procedure

1. **Position the reader so you can see the diagnostic LEDs**
 - You may also want to position the PC so you can view the monitor
2. **Access an operational mode suitable for bench testing.**
 - Open the Alien Gateway RFID Demonstration Application.
 - Select Tag Grid on Gateway.
 - The RF ON light should illuminate.
 - Refer to the applicable software application user guide for specific instructions.
3. **Move a tag slowly away from the antenna's range.**
 - Begin with the tag well inside the expected read range (~2m or 6 ft) and move it toward the antenna while observing the LEDs.
4. **Verify the READ LED illuminates when the tag is inside the read window.**
 - The READ LED should be illuminated green.
5. **Verify the host receives the tag data.**
 - The tag should be displayed on the monitor..
6. **If bench test conditions are verified, proceed to installation.**

Installation

This section provides guidance for configuring components in your RFID system. You should consider the overall design of your specific system before permanently mounting the equipment.

Installation involves many of the same connection steps required for bench test. However, instead of placing equipment on a tabletop, the reader, antenna, and their accessories are mounted in your application environment.

Requirements

Before installing your RFID Reader system, you will need the following:

- An 802.3af compliant network connection or standard 120 or 220 VAC power outlet..

WARNING: If you do not use an 802.3af compliant network to supply DC power you must use the ALX-416 power supplies provided by Alien Technology. Failure to do so voids the product warranty and violates the terms of the FCC license.

- RS-232 cables, Ethernet cables or antenna coax cables needed to accommodate routing requirements
- Mounting hardware suitable for the surface to which equipment is to be attached. Use #8 pan head screws 1.125" minimum length.

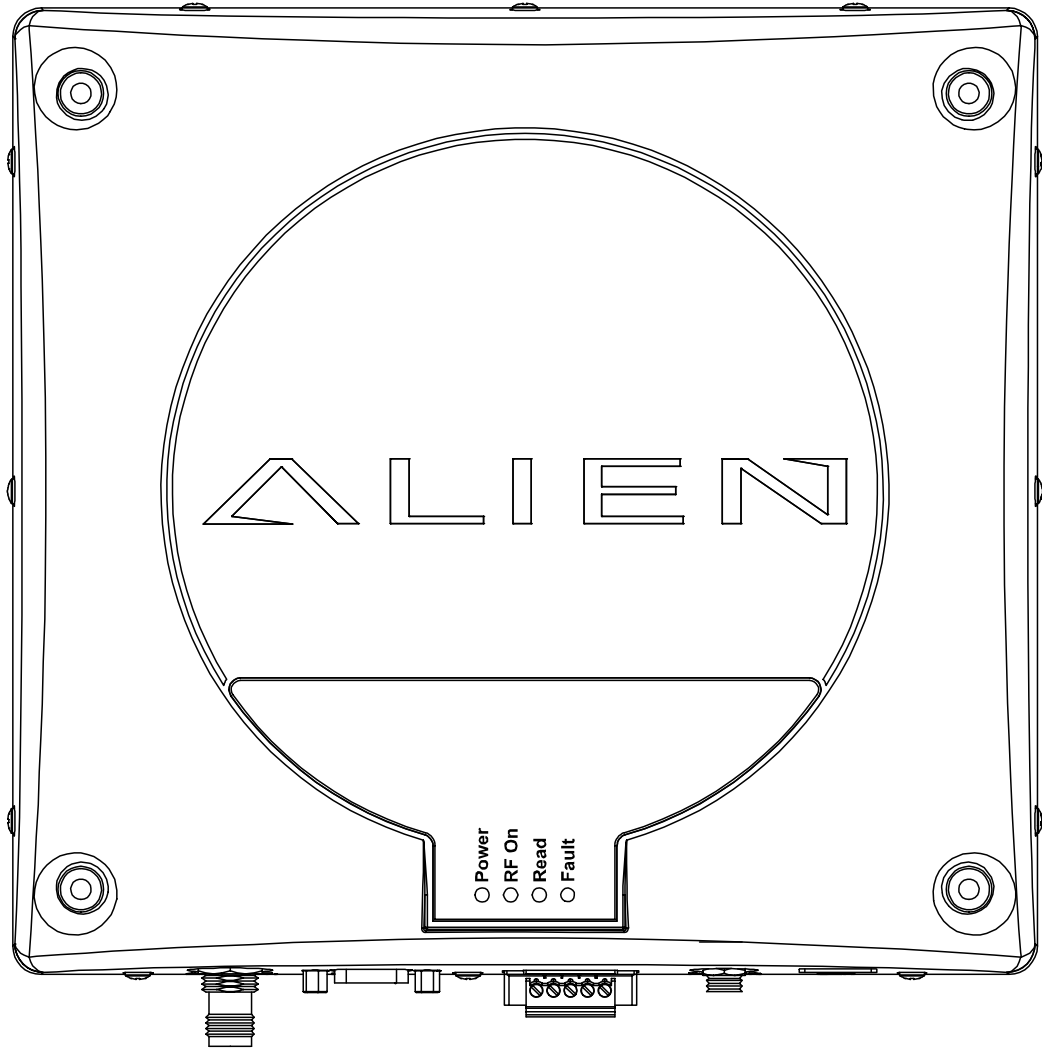


Figure 13 - View of the Reader showing mounting holes

Hardware Installation Procedure

1. Select mounting position for antenna(s).

CAUTION: Reader antenna should be positioned so that personnel in the area for prolonged periods may safely remain at least 23 cm (9 in) in an uncontrolled environment from the antenna's surface. See FCC OET Bulletin 56 "Hazards of radio frequency and electromagnetic fields" and Bulletin 65 "Human exposure to radio frequency electromagnetic fields."

- Mount the reader and optional auxiliary antenna (if used) at the periphery of the desired read window so that the position of the most distant tag passing through the window is no farther from the antenna than the maximum range specified for your system design.
- Position the reader and optional auxiliary antenna (if used) at a height approximately midway between the highest and lowest expected tag position. (For example, a pallet tag may be the lowest tag position to be read, while the top-most case on a fully stacked pallet may represent your highest tag position.)

- **NOTE:** To maintain compliance with FCC regulations, use only antennae, cables and power supplies supplied with the unit or approved by Alien Technology for use with the ALR-9650.

2. Select mounting position for reader.

The ALR-9650 has been designed to provide reliable operation over its operating temperature range. This is enhanced by proper mounting of the reader during bench test and installation. When using the reader place it on a solid thermally conductive surface. Optimum thermal performance is achieved by mounting the unit to a metal mounting plate with direct contact between the reader base and the mounting plate. When mounting vertically the reader IO panel should be oriented at the bottom.

- When using the auxiliary antenna it should be placed close enough reader to accommodate the cable length without putting strain on the connectors.
- Mount units individually. Do not stack them.

3. Install reader.

- Secure the reader through the four mounting holes to its mounting location (wall, post, mounting bracket) using appropriate #8 pan head screws at least 1.125" long.

4. Install the auxiliary antenna.

- Secure the auxiliary antenna (if used) through the mounting holes on either flange to its mounting location using appropriate hardware.

5. Connect the auxiliary antenna to reader.

- Route coax cable from the auxiliary antenna to the reader according to your system design specifications and secure it properly. Do not kink the antenna cable and maintain bend radii of greater than 1 inch.
- Align the connector of the cable with the reader antenna port, push into the port, and finger-tighten the screw fitting.

6. Connect reader power supply.

- If you are using an 802.3af compliant network for reader power skip this step
- If you are using the ALX-416-1 PoE power supply, use a short standard Ethernet cable to connect the reader RJ-45 jack to the LAN+DC RJ-45 jack of the power supply. Align the RJ-45 connector with the corresponding TCP/IP port on the reader or the power supply and push the connector in.
- If you are using the optional ALX-416-2 AC/DC power supply, connect the DC power jack into the DC power plug of the reader. Tighten the screw fitting finger tight.
- DO NOT use both the PoE power supply and the optional AC/DC power brick on the same unit at the same time.
- DO NOT plug the AC power cord into the supply at this time.

7. Connect reader to the LAN or host PC.

- If you are using an 802.3af compliant network for reader power take no action.
- If you are using the ALX-416-1 PoE power supply, connect the Ethernet cable into the LAN jack of the power supply. Align the RJ-45 connector with the corresponding TCP/IP port on the power supply and push the connector in. Connect to the other end to a LAN drop or network switch. You may optionally connect the reader directly to a PC's network port, but you must use an Ethernet cross-over cable in this situation.
- If you are using the ALX-416-2 AC/DC power brick, connect the Ethernet cable into the LAN jack of the reader. Align the RJ-45 connector with the corresponding TCP/IP port on the reader and push the connector in. Connect to the other end to a LAN drop or network switch. You may optionally connect the reader directly to a PC's network port, but you must use an Ethernet cross-over cable in this situation.
- If you wish to observe the reader's boot up trace, or control the reader via RS-232, align and connect a DB-9 serial cable to the reader's RS-232 port, and to the serial port on the PC. Configure your terminal software as described previously in the Bench Test Configuration topic.

8. Connect reader power.

- If you are using an 802.3af compliant network to power the ALR-9650 connect a standard LAN cable between the ALR-9650 LAN/PoE port and the 802.3af enable LAN drop or network switch. The green POWER LED will illuminate when power is on

Note: If using an 802.3af compliant network it must be capable of supplying up to 12.95 watts.

- If you are using the ALX-416-1 PoE power supply or the ALX-416-2 AC/DC brick plug the AC power cord into the supply and into the wall outlet. The green POWER LED will illuminate when power is on.

9. You are now ready to use the reader.

System Operation: Software Control

The ALR-9650 RFID Reader is controlled from software running on a host system that communicates with the reader using the ASCII-based Alien Reader Protocol. All applications use this protocol to communicate with the reader.

You may operate the reader from your own application code, using the example code provided on the Developer's Kit CD, or using the Alien RFID Gateway application which is a demonstration program also included on your CD.

For more details, refer to either the *Reader Interface Guide* or the *Demonstration Software Guide* described briefly below.

Reader Interface Guide

The Alien Reader Protocol, mentioned previously, is described in detail in the *Reader Interface Guide*. Using this interface, the reader can be configured to read tags when queried or after one of a variety of event triggers (e.g., a rising edge on one of the I/O pins, or a timer).

Tag data acquired in response to these triggers can be transmitted to the host in a number of formats (e.g., text, XML or custom) and under a number of conditions (e.g., on a new tag being observed, or a tag disappearing from view).

If you are a software developer, the *Reader Interface Guide* provides the information you will need to connect to the reader from a host computer, communicate with it, and customize its performance.

Demonstration Software Guide

The *Demonstration Software Guide* describes the installation and operation of the Alien RFID Gateway application.

The Alien RFID Gateway application is a useful demonstration program that allows users to explore the reader's functionality and build customizable demos with a user-friendly interface.

Using the Gateway, the various operating modes of the reader can be controlled and custom interactive demos can be constructed using sounds, images, and text.

Alien RFID Academy

Need to absorb RFID systems fast? Enroll in the Alien RFID Academy! In two or three days we'll share our practical expertise in RFID tags, antennas, readers, frequencies, systems, and protocols.

The Alien RFID Academy is a hands-on immersion into the workings, uses, and challenges of RFID technology. Rather than a product pitch, we put products to the test in the classroom, provide students with hands-on exposure in our RFID Solutions Center, and short-cut the learning curve by sharing practical solutions to real-world challenges. You'll learn best industry practice tag placement techniques for packaging and pallets alike.

Upon completion of the training, you will learn how to implement, avoid common costly mistakes, know how to make the correct decisions for your business, how to select the right RFID options for your requirements, and where to find RFID answers.

Alien RFID Intermediate / Advanced Academy Topics:

- RFID Physics, Protocols & Practical Applications
- Tag Placement & Packaging Considerations
- RFID Reader/System Configuration & Optimization
- Hands-on Implementation
- RFID System Architecture and Integration
- Conducting Site-surveys & Contending with Interference

Please visit <http://www.alientechnology.com> for more information.

Appendix A

Clause 6.2 of SJT/11364

TUV 报告号: **30850411.001**

翻 译: 英译中

以下是根据 2006 年版 SJT/11364: 条款 6.2 之英译中:

中华人民共和国, 电子信息产品污染控制管理办法: 自我声明							
制造商:		Alien Technology Corporation					
制造商地址:		18220 Butterfield Blvd. Morgan Hill, CA 95037, USA (美国, 加州)					
产品名称 / 型号:		RFID Reader/Development Kit (RFID 阅读器) 型号: ALR-9650 ALR-9650-DEVK					
有毒有害物质或元素列表							
部件号	部件名	有毒有害物质或元素					
		铅 (Pb)	汞 (Hg)	镉 (Cd)	六价铬 (CrVI)	多溴联苯 (PBB)	多溴二苯醚 (PBDE)
第一组	外壳组件	○	○	○	○	X	X
第二组	五金件	○	○	○	X	○	○
第三组	天线组件	X	○	○	○	X	X
第四组	电线电缆	○	○	○	○	X	X
第五组	线路板组件	○	○	○	○	○	○
第六组	外接电源	○	○	○	○	○	○
第七组	外接天线组件	○	○	○	○	○	○
第八组	外接天线外壳	○	○	○	○	X	X
第九组	外接天线电缆	○	○	X	○	○	○
第十组	包装材料	○	○	○	○	○	○
第十一组	CD 盒	○	○	○	○	X	X
第十二组	RFID 标签	○	○	○	○	○	○
O: 表示该部件所有均质材料中的有毒有害物质含量均在 SJ/T 11363-2006 规定的限量要求以下							
X: 表示至少该部件的某一均质材料中的有毒有害物质含量超出 SJ/T 11363-2006 规定的限量要求							

注释: XRF 扫描结果和 RoHS 符合性声明是此次评估的一部分。